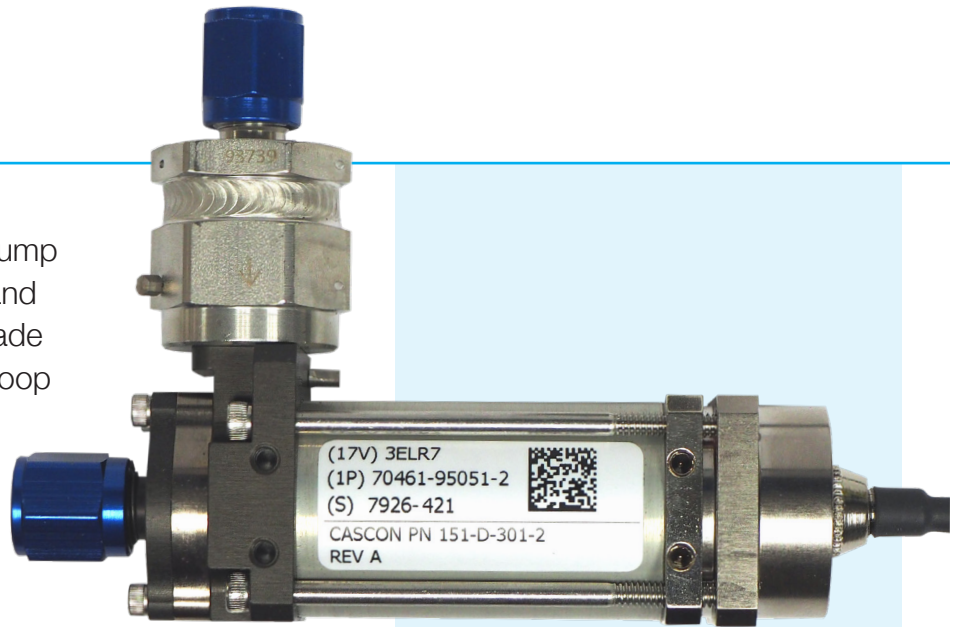


## Series 151 Fuel Metering Pump

Cascon Series 151 Fuel Metering Pump delivers variable flow performance and reliability in a light-weight military grade package. Suitable for use in open-loop systems or closed-loop returnless electronic fuel injection (EFI).

- Flows to 80 in<sup>3</sup>/minute  
[70 liters per hour]
- Pressure to 100 psid [6.67 bar] continuous  
150 psid [10 bar] intermittent



Actual Size

Cascon Series 151 fuel pumps are widely used in UAV applications where performance and reliability are paramount. A variety of interface options are available.

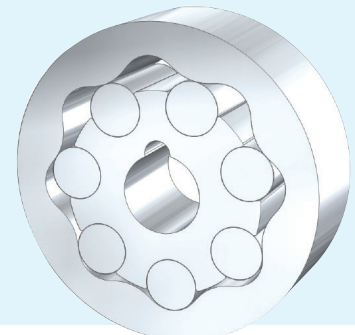


- Thousands of units fielded
- Over a million flight hours logged
- 8 Pole brushless DC motor
- Miniature variable speed control
- Sealless leak free design
- Hardened steel components insure a long operating life
- IGR pump technology for performance and durability

### Interface Data

Electrical Connection	32 inch 4 wire cable D-SUB 9 M24308/4-1F Connector Custom Connectors available
Supply Voltage	22-32 VDC
Speed Command	0-5 V or 5 V PWM
Speed Feedback	5 V Square wave 4x rpm
Inlet	SAE AS4395E04
Outlet	SAE AS4395E04
Mounting	8x #6-32 Threaded Holes

*Precision IGR Technology  
provides for simple, robust  
positive displacement pumping*



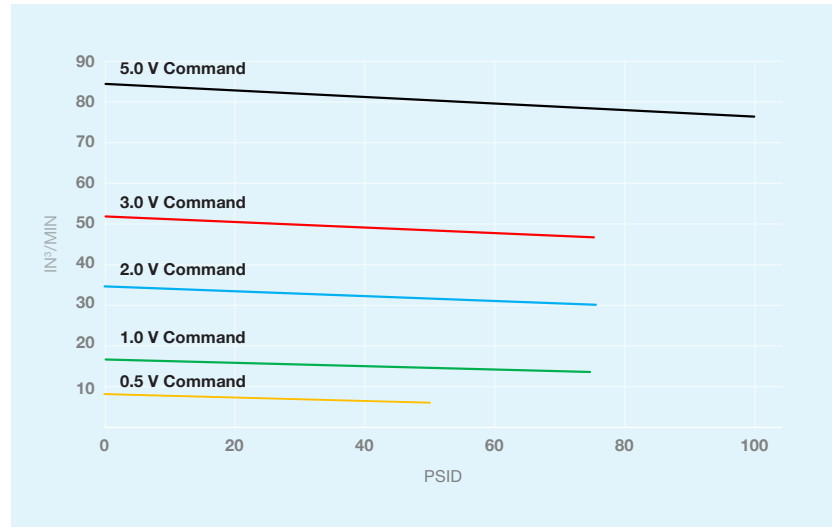
### Additional Specifications

Max Operating Temp	80 °C
Min Operating Temp	-55 °C
Max Storage Temp	100 °C
Min Storage Temp	-65 °C
Shock (MIL-STD-810)	20G
Vibration (MIL-STD-810)	Category 24
Altitude (MIL-STD-810)	20,000 ft <sup>1</sup>
Max Input Power	45 W <sup>2</sup>
Optional filter	25 micron
Weight (with filter)	450 grams

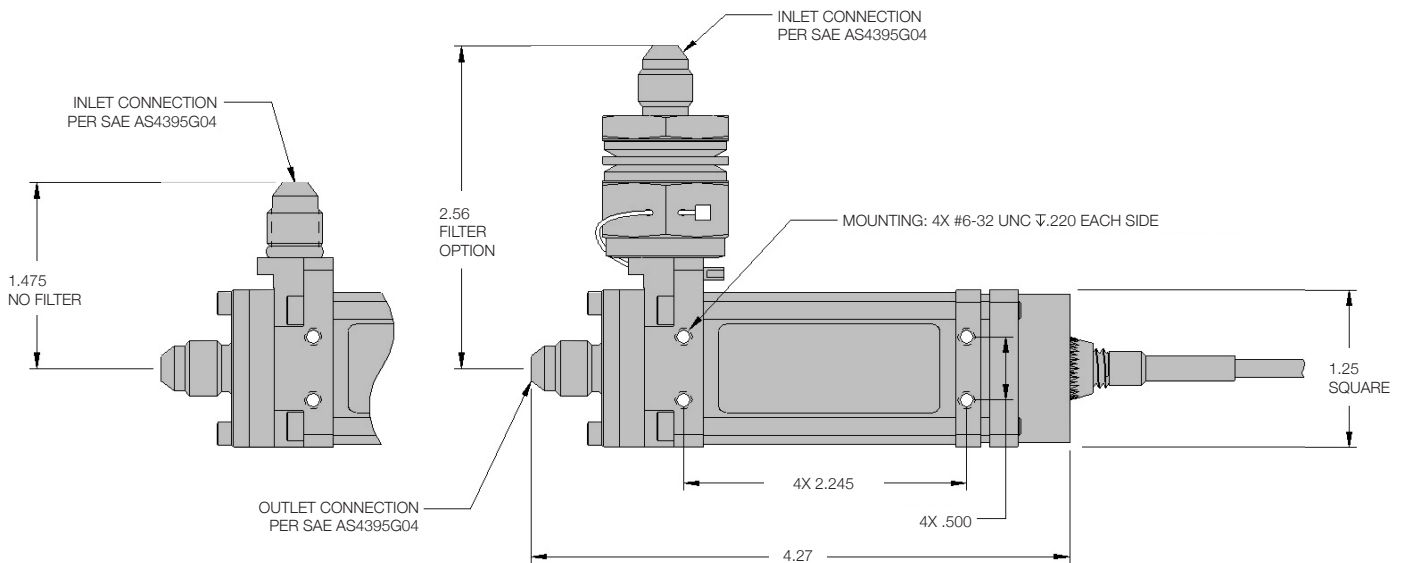
<sup>1</sup> Vented (unpressurized) reservoir

<sup>2</sup> Self-limiting

### Typical Performance MIL-C-7024 Type II Calibration Fluid, 25°C



### Dimensions and Connections



### Configure-to-Order

Series 151 pumps are available on a configure-to-order basis. Some models in stock. Visit [casconpump.com](http://casconpump.com) for information on other configurable and custom pump products.