

Insulation Adhesive Dispensing System

The adhesive dispensing system delivers the lowest installed cost method of application for high production commercial roof projects. This low maintenance, light-weight and portable delivery system can apply enough adhesive to cover up to 60 squares of roof insulation per hour. The two component urethane adhesive is dispensed through patented disposable mixing tips. At the heart this system are two custom designed gerotor style pumps developed by Cascon.



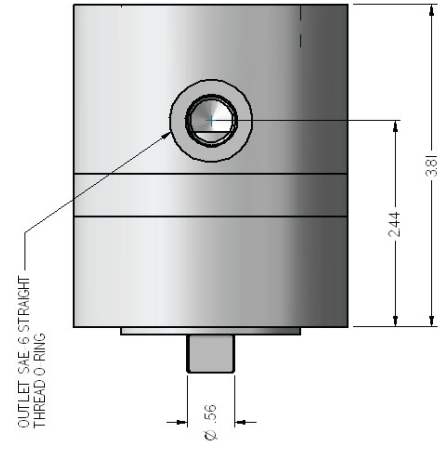
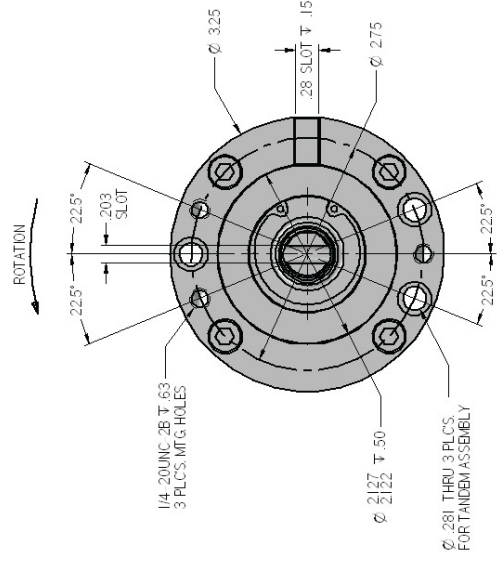
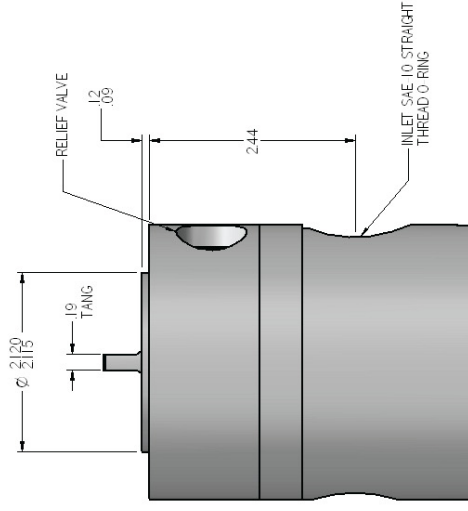
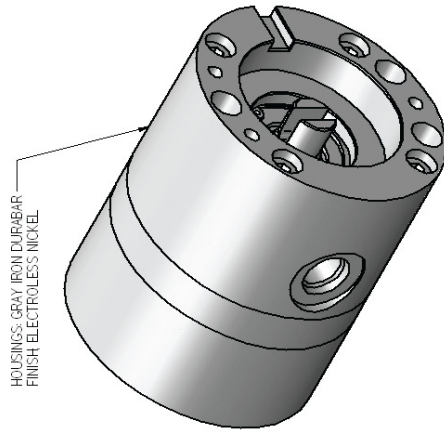
Pump Description:

The chemical metering pump is a positive displacement rotary type pump designed to meter precise amounts of water-based urethane chemicals. When properly mixed, the constituent chemicals produce an adhesive used for commercial roofing applications. The pump features male/female shaft ends that mate together for tandem mounting to a single electric motor gear drive. An integral pressure relief protects the pump against damage caused by extreme operating pressures. Operating speeds are typically under 300 rpm with discharge pressures typically below 300 psig. The housings and eccentric ring are constructed from cast iron bar, and the shaft is made from carburized and hardened AISI 8620 steel. The housings are finished with Teflon impregnated, electroless nickel plating for superior wear and corrosion protection.

Selected Performance Data:

Fluids	Two Component Urethane
Viscosity Range	20 to 10,000 cps
Displacement	10 cc/rev
Temperature Range	-20 +150 degF
Operating Pressure Range	Up to 300 psid
Operating Speed Range	Up to 300 rpm
Duty Cycle	Continuous





CASE STUDY CS-137 CHEMICAL METERING PUMP